



Welcome to

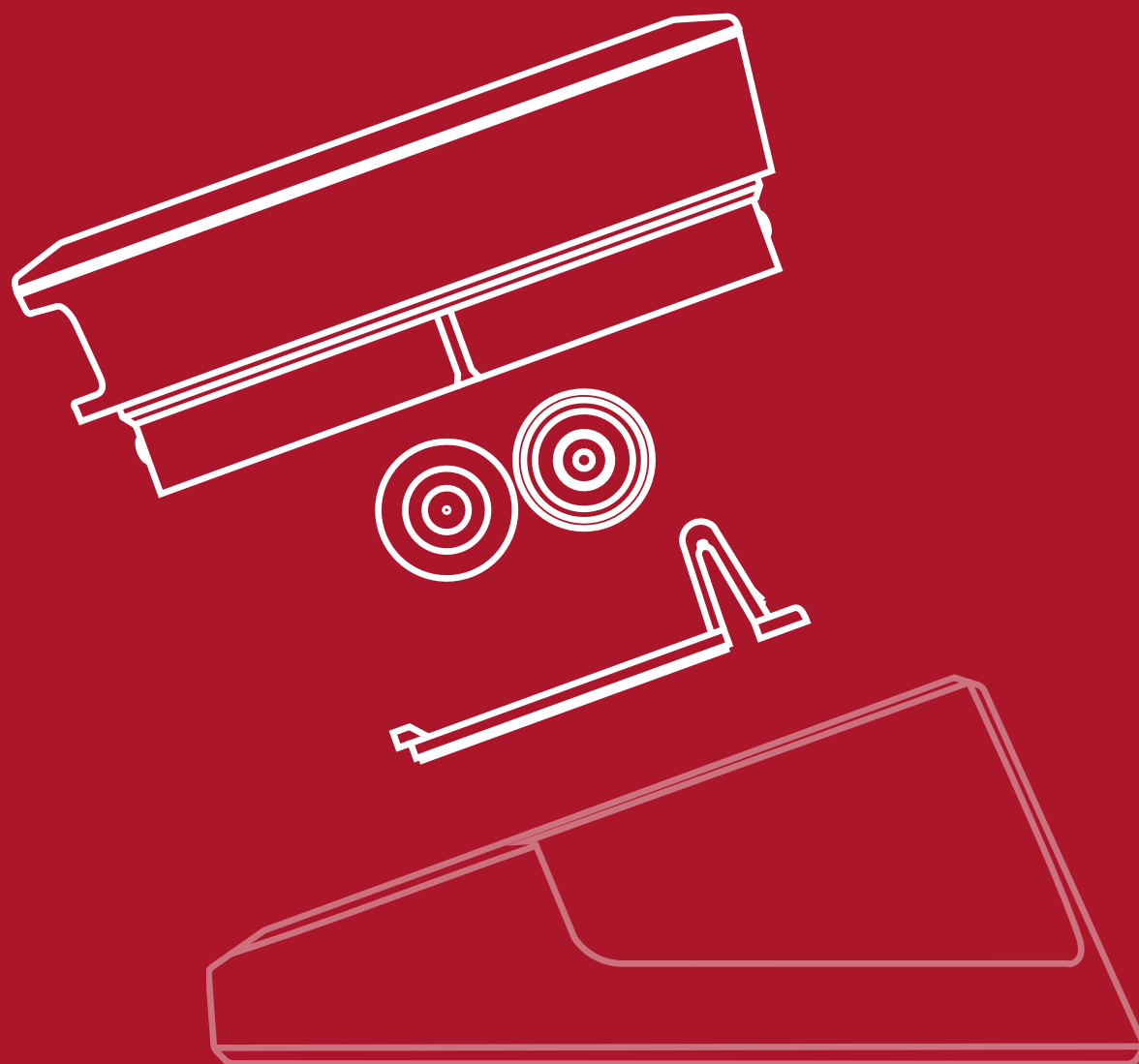


**QUICK START GUIDE**



Download the  
iDevices Connected app

1



Remove top unit from  
base, insert batteries

2



Press and release  
the power button

3

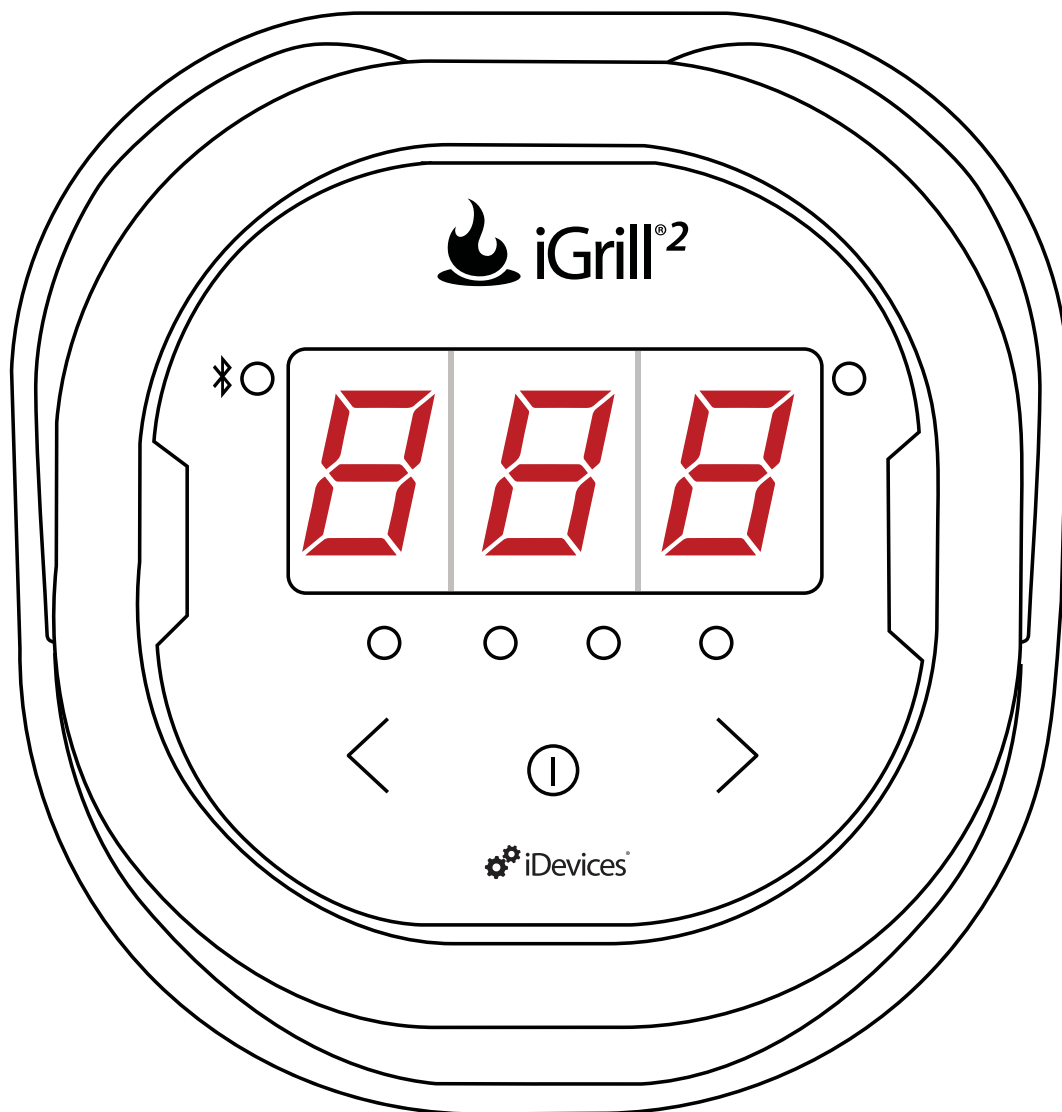


Launch app and connect  
through Bluetooth®

4

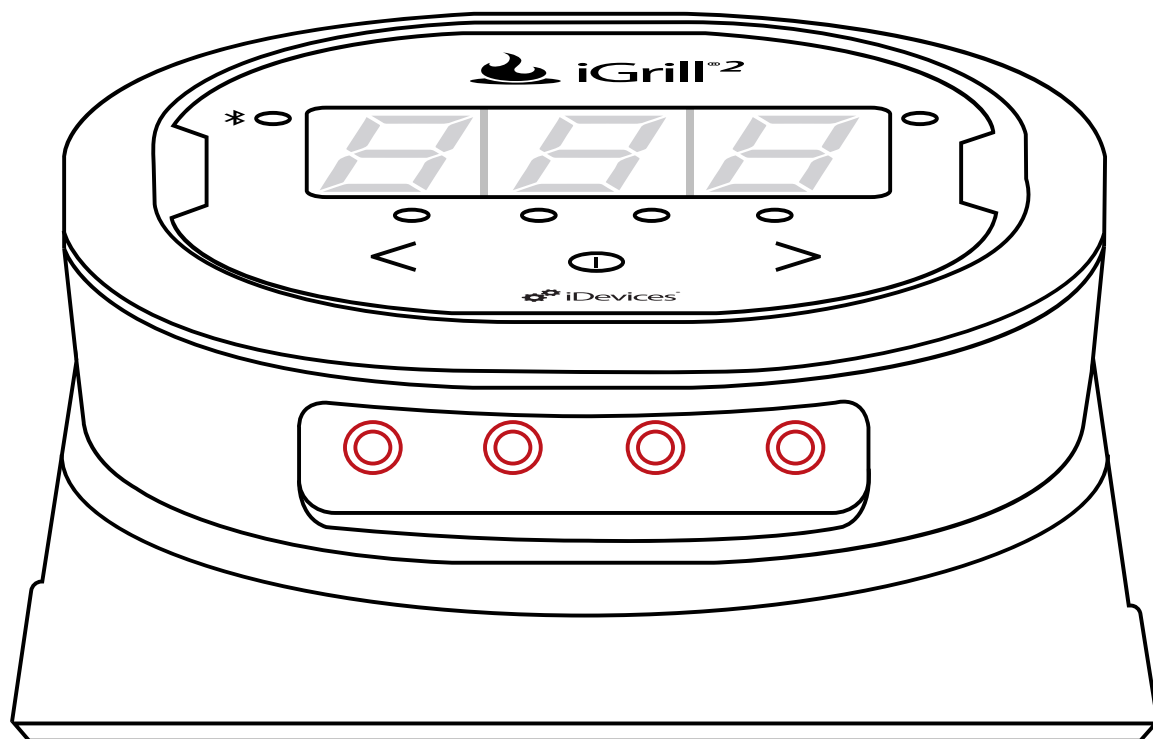
Getting To Know Your





## Smart Display

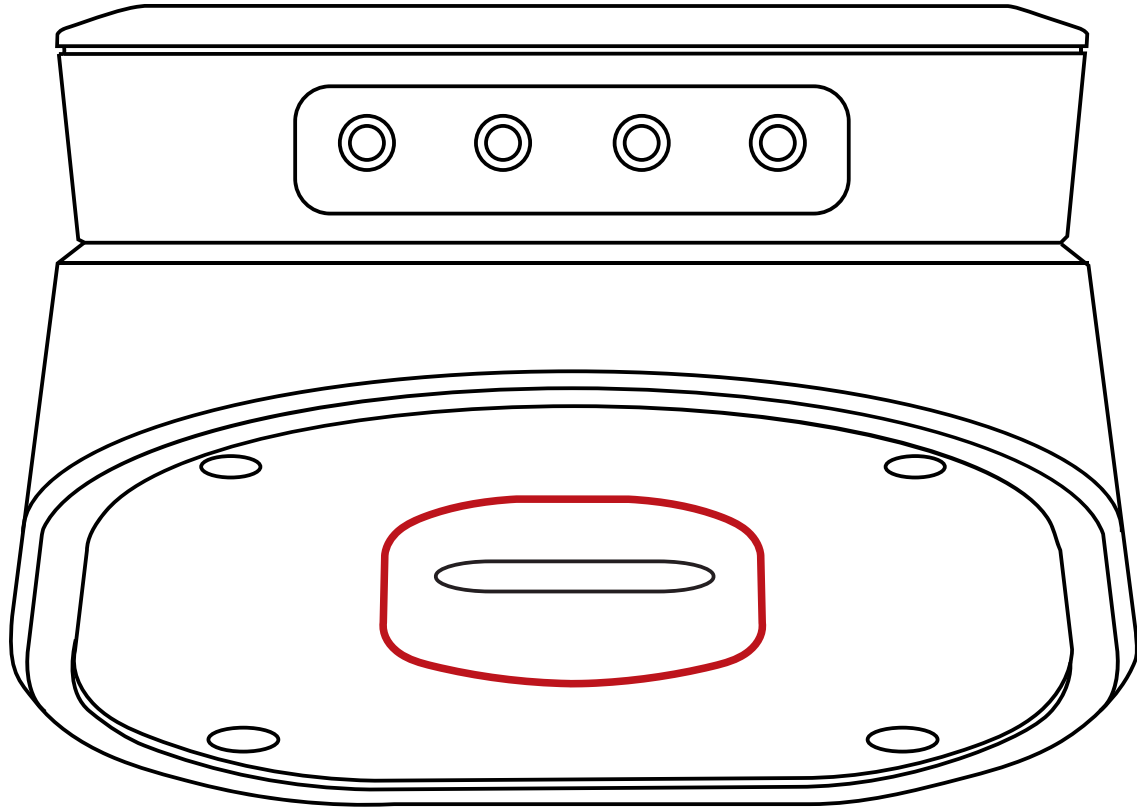
The display will illuminate once your smartphone/tablet is within range



## Probe Insert

Four probe inserts to monitor four temperatures at once

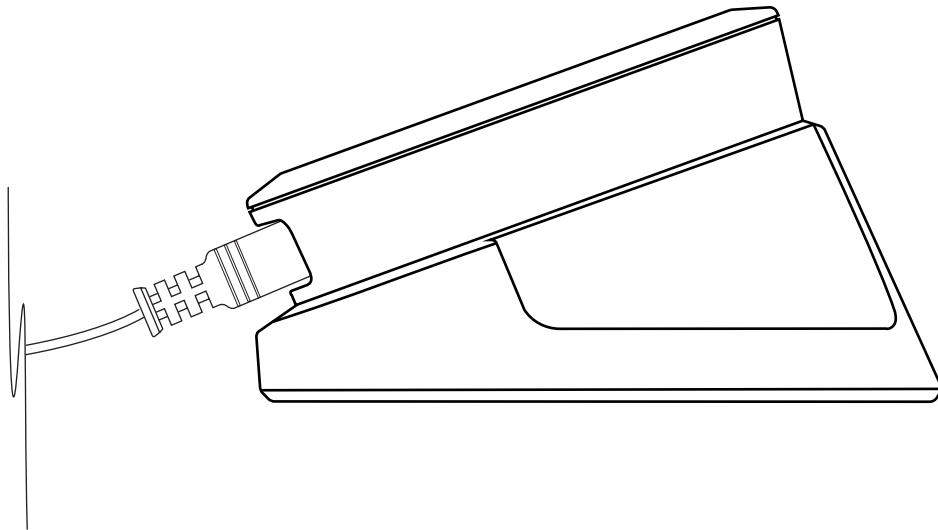




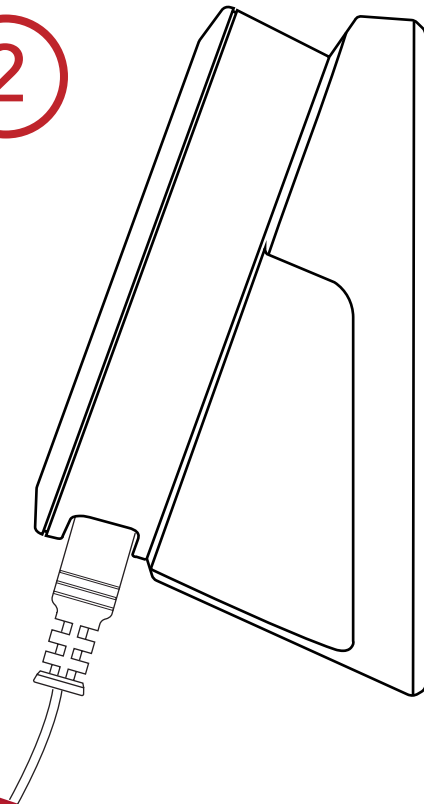
## Magnetized Mounting

Place almost anywhere with built-in magnet or optional magnetic disc

①

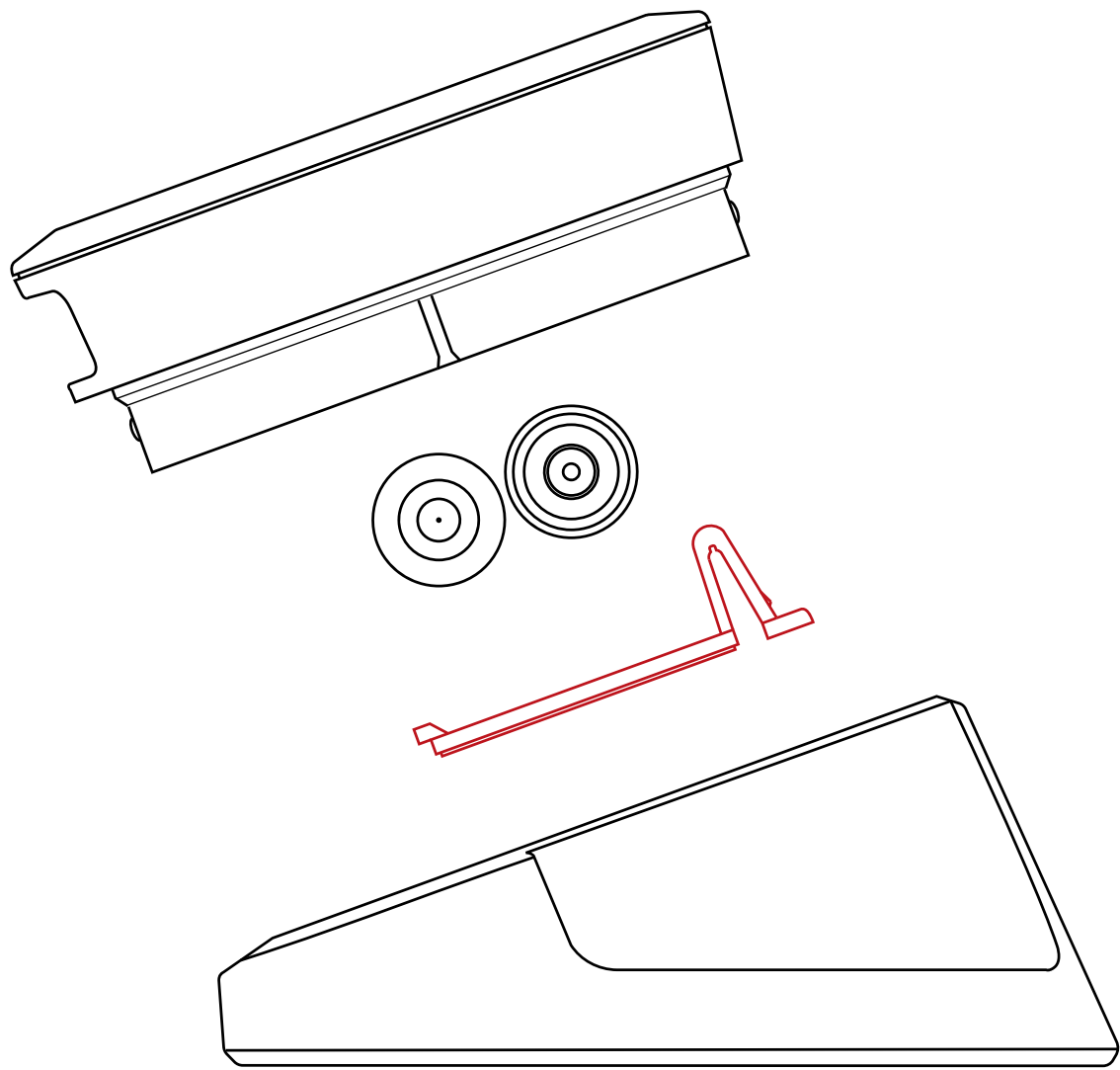


②



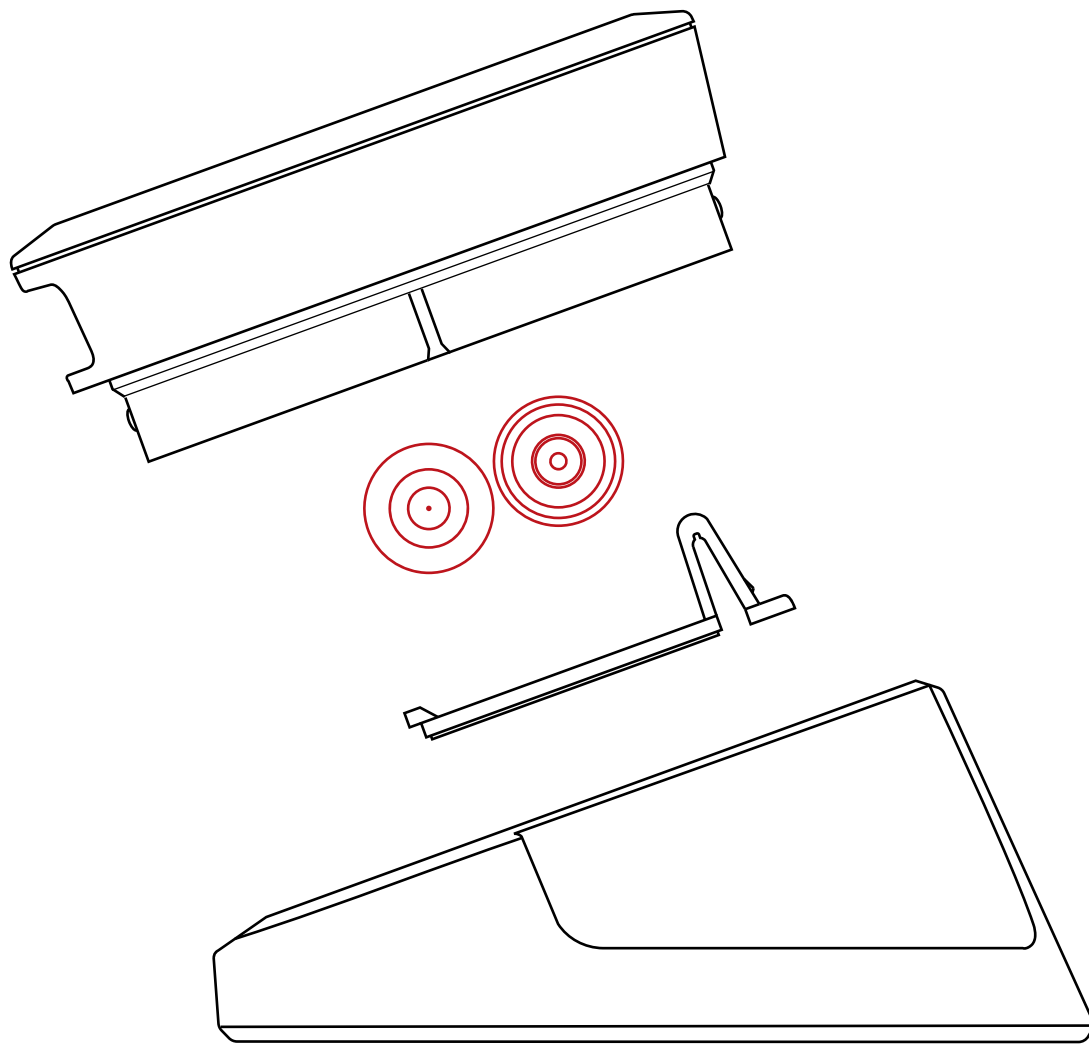
## 2 Viewing Angles

Choose from two viewing positions by rotating the main unit 180 degrees



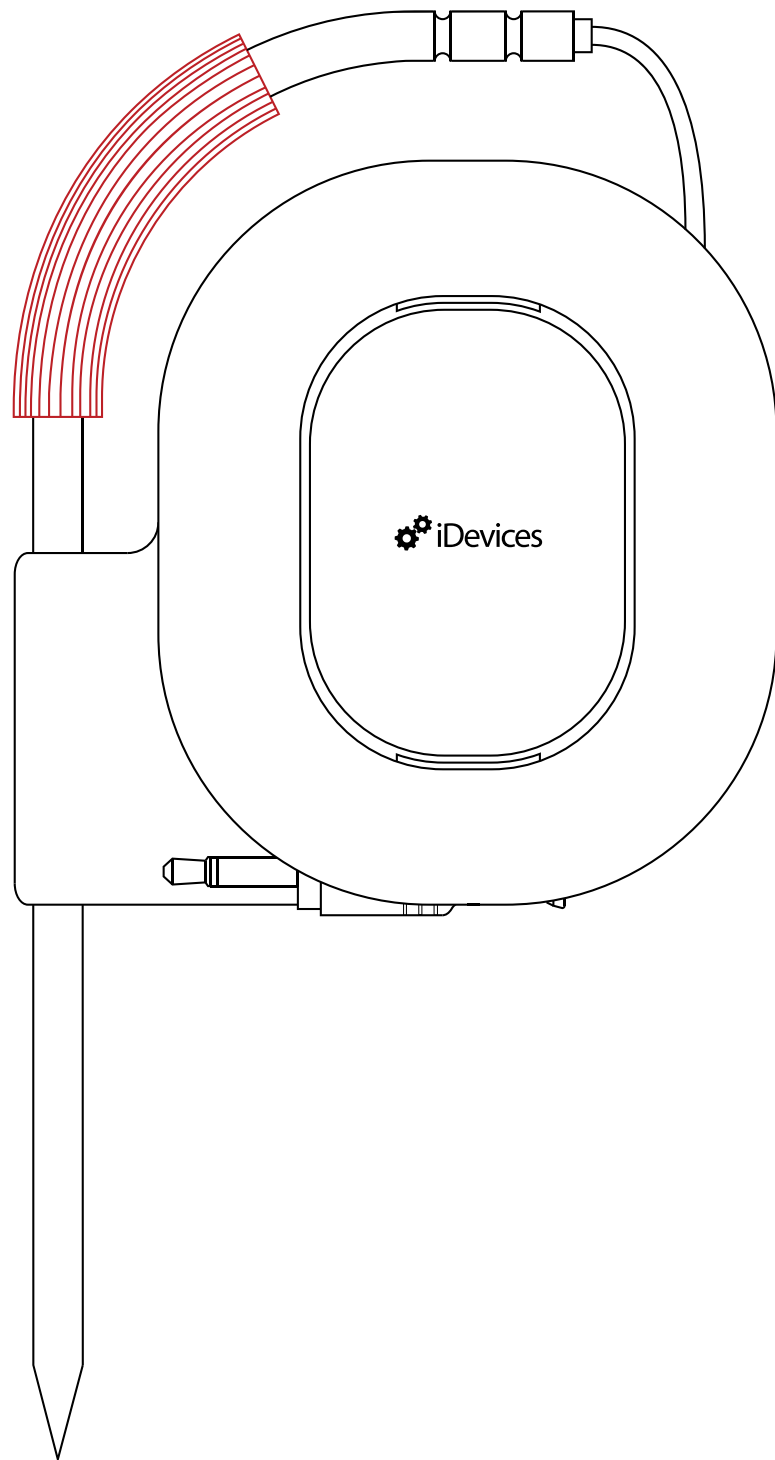
# Battery Cover

Remove to insert batteries



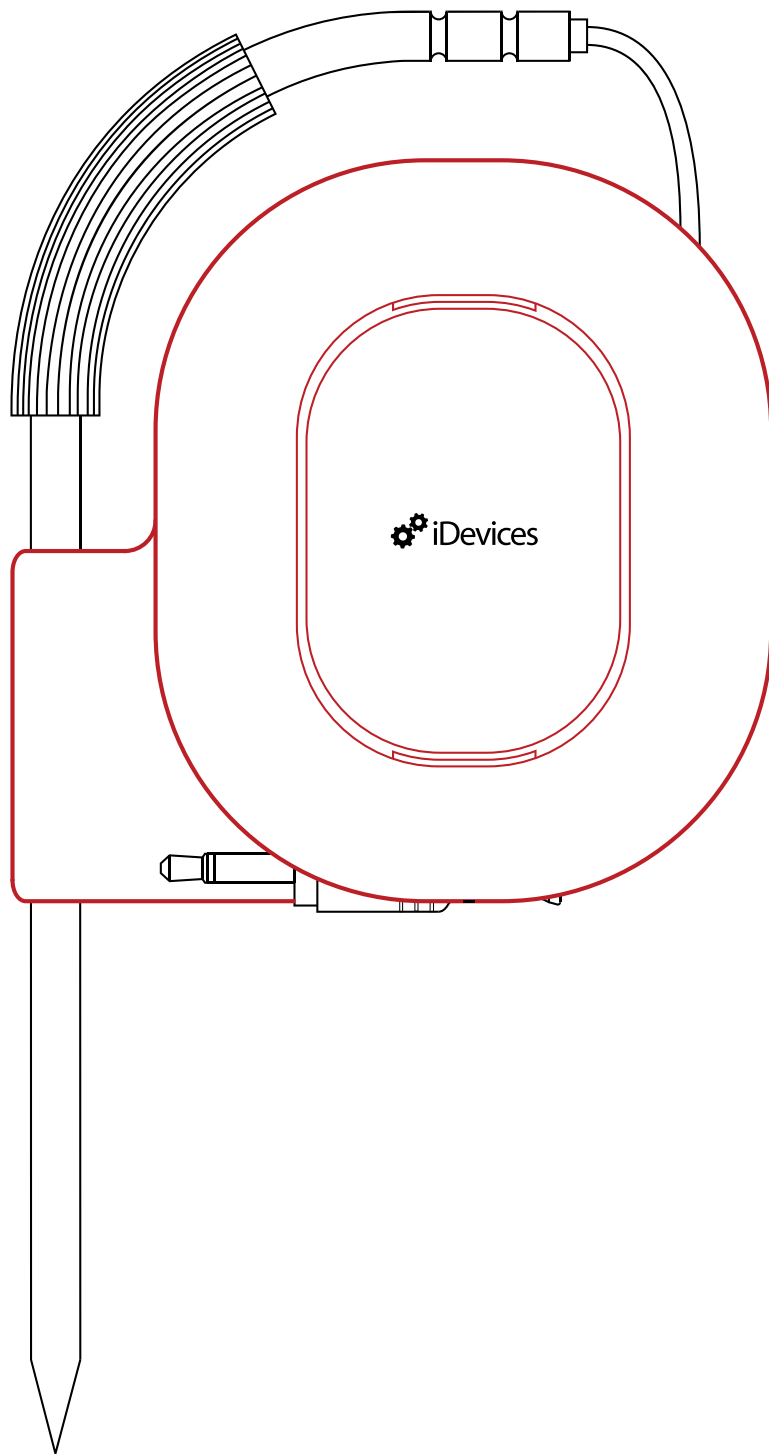
# Battery

Requires 2 AA batteries (included)



## Colored Probe Indicator

Easily identify each probe reading within the app



## Probe Wrap

Neatly wrap and store your probes on the back of your unit when it's not in use

## WARNING

Colored probe indicators not intended to be used as heat safety grips. Probes are NOT dishwasher safe.

**Supported Devices:** App requires a Bluetooth® Smart Ready device. Check [iDevicesinc.com/compatibility](http://iDevicesinc.com/compatibility) for a list of compatible devices.

**Warranty Information:** iDevices® covers the iGrill<sup>2</sup> with a 1-year Limited Warranty against manufacturing defects. For full details of this policy and its terms, please visit [iDevicesinc.com/warranty](http://iDevicesinc.com/warranty).

**Operation Is Subject To The Following Two Conditions:**

(1) This device may not cause interference, and (2) This device must accept any interference, including interference that may cause undesired operation of this device.

L' utilisation de ce dispositif est autorisée seulement aux conditions suivantes: (1) il ne doit pas produire de brouillage et (2) l' utilisateur du dispositif doit être prêt à accepter tout brouillage radioélectrique reçu, même si ce brouillage est susceptible de compromettre le fonctionnement du dispositif.

App Store is a service mark of Apple Inc. The Bluetooth word mark and logos are registered trademarks owned by Bluetooth SIG Inc.

